

Crompton

Superior
Performance



220 CMM



360 RPM

 **atomberg**
"Why not?"



Sophistication

in every spin



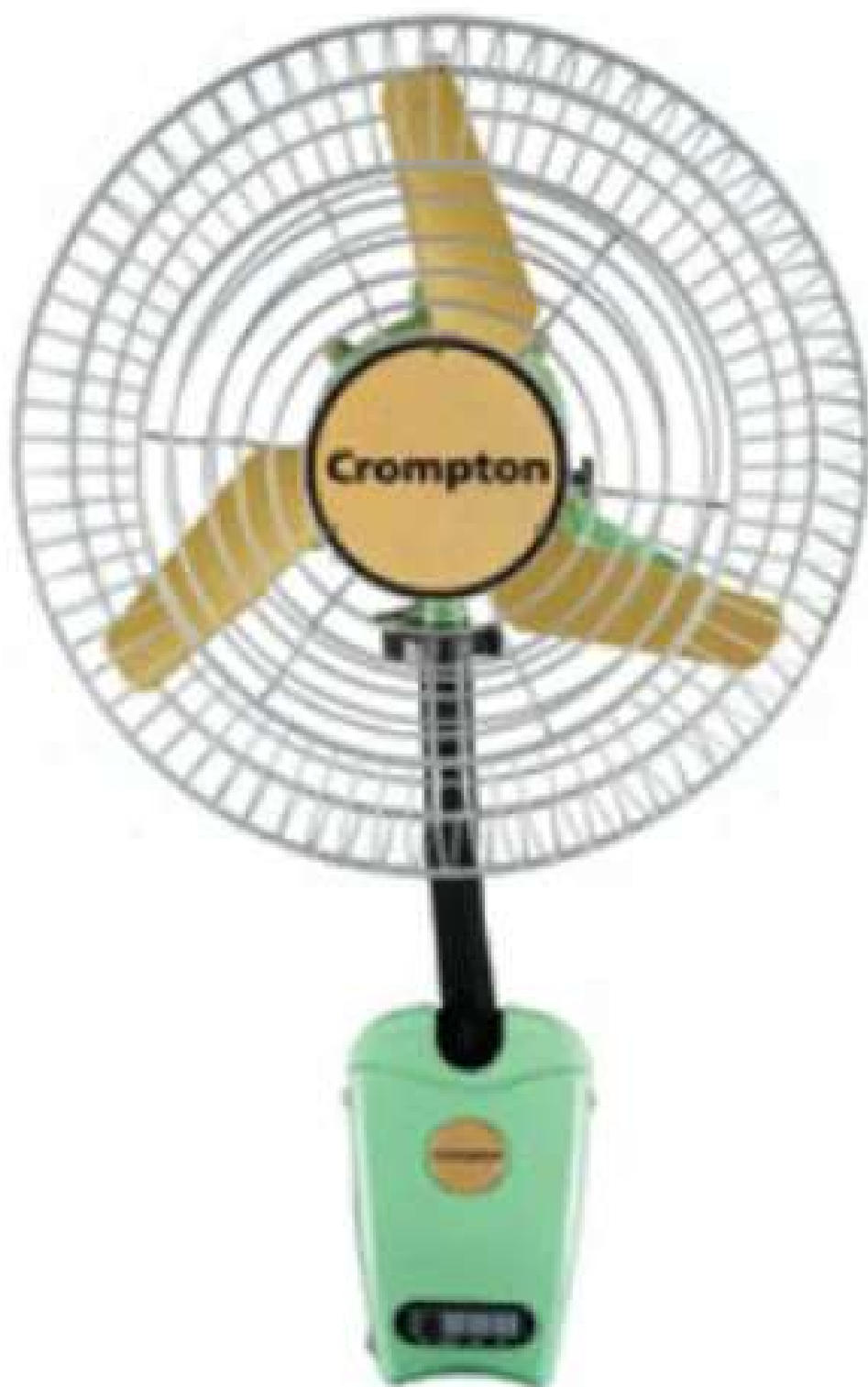
Enticer
Vineer

HIGH SPEED
WITH LESS
NOISE



Senoprime

Perfect blend of elegance and
functionality





Unique Dual
Light Operation !

Signify Classified - Internal



Designer accessory

signify



Experience the
ultimate comfort with
Silent Pro Enso



SPRINT-16 HS

- Sweep 400 mm
- Smooth oscillation
- Heavy base for stability

Crompton



AiroElevate



Silk White – Rose Gold



Espresso Brown - Copper



ALMONARD

Trusted for excellence in air technology for over 55 years



**Heavy Duty
Wall Mounting
Air Circulators**
24" (600 mm)
30" (750 mm)



Air Curtains



**Wall Mounting
Air Circulators**
18" (450 mm)



**Heavy Duty
Exhaust Fans**
12" (300mm) / 15" (380 mm)
18" (450 mm) / 24" (600 mm)
30" (750 mm) / 36" (900 mm)



**Wall Mounting
Mancooler**



**Heavy Duty
Pedestal
Air Circulators**
24" (600 mm)
30" (750 mm)



**Tubular
Mancooler**



**Pedestal
Mancooler**
18" (450 mm) / 24" (600 mm)
30" (750 mm) / 36" (900 mm)
48" (1200mm)

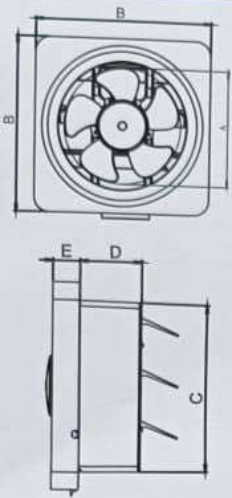


**Duct Mounted
Axial Flow Fan**



**Pedestal
Air Circulators**
18" (450 mm)

ALMONARO

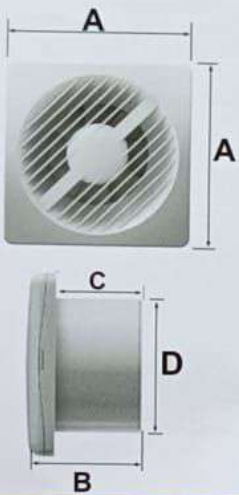


Eco-Vent Technical Specifications

SWEEP IN MM	POWER CONSUMPTION WATTS	SPEED RPM	AIR DELIVERY (M ³ /MIN)
150 mm	40	1350	350
200 mm	40	1350	450
250 mm	50	1350	550

PRODUCTS PARAMETER

SWEEP	A	B	C	D	E
150mm	150	245	195	75	36
200mm	200	295	240	90	40
250mm	250	335	280	90	41



Eco-Axial Technical Specifications

SWEEP IN MM	POWER CONSUMPTION WATTS	SPEED RPM
100 mm	35	2400
150 mm	40	2200

PRODUCTS PARAMETER

Sweep Size	A	B	C	D
100 mm	145 mm	85 mm	75 mm	100 mm
150 mm	195 mm	95 mm	85 mm	150 mm



ALMONARD

AIRSTORM

AIRSTORM WALL FAN



Convenient
Pull Cord

AIRSTORM PEDESTAL FAN



SALIENT FEATURES

- ⇒ Elegant Design
- ⇒ 120 RIBS guard
- ⇒ Superior technology for enhanced air thrust
- ⇒ Specially designed motor for indian conditions
- ⇒ Fitted with anti-corrosive paint and plated components
- ⇒ Elegant Design with convenient 3 speed control
- ⇒ Easy to install



SPECIFICATION

Product	Supply Voltage	Frequency	Input Wattage	RPM	Air Delivery
16" (400mm) WALL FAN	220-240V	50 Hz	60W	1350	65m ³ /min
16" (400mm) PEDESTAL FAN	220-240V	50 Hz	60W	1350	65m ³ /min



AN ISO 9001 : 2008 CERTIFIED COMPANY



ALMONARD

Range of Eco-Ventilating Fans

ECO-VENT



- ◆ Available in White, Ivory & Black Color
- ◆ Sweep 150, 200 & 250 mm
- ◆ Silent Operation
- ◆ Power Saving
- ◆ High Quality Engineering Plastic
- ◆ Ideal for Mounting on Glass & Wood
- ◆ Aero Dynamic Air Suction.

ECO AXIAL

- ◆ Available in White, Ivory & Black Color
- ◆ Sweep 100 mm & 150 mm
- ◆ Silent Operation
- ◆ Power Saving
- ◆ High Quality Engineering Plastic
- ◆ Ideal for Mounting on Glass & Wood
- ◆ Aero Dynamic Air Suction.





Regd. Trade Mark

ALMONARD

Trusted for Excellence in Air Technology for Over 50 Years

AEROSTAR WALL FAN 450 mm (18")

Salient Features

- High Performance Motor with Overheat Protection.
- Aerodynamically Designed Blades.
- 100% Copper Winding
- 3 Speed Switch Control



MODEL	SUPPLY VOLTS	FREQUENCY	INPUT WATTAGE	SPEED RPM	AIR DELIVERY (M3/MIN)
WALL FAN 450 mm (18")	220 V-230 V	50 Hz	96 W	1400	100

ALMONARD PRIVATE LIMITED

CIN: U29300MH1968PTC014071

Mumbai Head Office :

305, Kakad Chambers, 3rd Floor, 132, Dr. Annie Besant Road, Worli, Mumbai-400018. Website: www.almonard.co.in
Tel.: 022-2492 6552, 2490 3463, 2490 2269, 2490 3094
E-mail: almonardconnect@gmail.com
salesalmonard@gmail.com

VADODARA Works :

852/2 & 853/1 GIDC, Makarpura, Vadodara, Gujarat - 390010.
M: 95372 21118
E-mail: almonardfan10@yahoo.com

CHENNAI Off. & Works :

439/3A & 3B, Ekambara Naicker Industrial Estate, Off Arcot Road, Alapakkam, Porur, Chennai-600 116.
Tel.: 044-2476 2100, 2476 2030, 2476 1424 -
Fax: 044-2476 2627
E-mail: almopc@gmail.com, aimdomsales@gmail.com



Regd. Trade Mark

PUNE:

Leelashree, Plot No. 32, Ground Floor, Anandbaug Soc., ISI Blood Bank Lane, Navi Peth, Pune-411 030.
M: 9822018708

BHUBANESHWAR:

Plot No. 3574/5486, At - Palasuni Hat, Canal Road, PO G.G.P. Bhubaneswar - 751 025.
Tel: 0674-2371157/0674-2370056

BANGALORE:

315C, P&J Compound, 14th Cross, Sunkadskatte, Magadi Main Road, Bangalore-560091
Tel: 080-23281991/23281989/23583065

NAGPUR:

Venkatesh Apartment, 193, Trimurtinagar, Square Ring Road, Nagpur - 440 022.
Tel: 0712-223 6622

HYDERABAD:

5-5-33/23C, Prashanti Nagar, Kukatpally, Hyderabad - 500 072.
Tel: 040-23070199/23070198

HUBLI:

N-25, 1st Gate Industrial Estate, Gokul Road, Hubli-580 030.
Tel: 0836-2237959/2970429

AHMEDABAD:

306 & 307, Videocon Arizona, Near Nav Gujarat College, Opp. Gujarat Vidyaapeeth, Income Tax, Ashram Rd, Ahmedabad 380 013.
Tel: 079-27542034 / 27542024

VIJAYAWADA:

D. No. 1-4-290-A, R.T.C. Workshop Road, Bhavanipuram, Vijayawada - 520 012.

INDORE:

Patwari Haika No. 17, Survey No. 3/01 Goyal Compound, T.T. Nagar, Piplya Kumar, Dewas Naka, Indore (M.P.) Pin-452010
Tel.: 0731-4855450

SURAT:

ORBIT-1, 502, 5th Floor, Puna-Saroli BRTS Junction, Canal Corridor, Punagam, Surat 394 210.
M:890628560/9723966440

VISAKHAPATNAM:

D. No. 46-19-12, Mandavani Peta, Behind Big Bazar, Dwarkanagar, Visakhapatnam - 530 016 (AP)
Tel: 0891-2765826/2707994

DELHI:

Plot No. 420, 2nd Floor, Functional Ind. Estate, Palpaganj Industrial Area, Delhi - 110 092
Tel: 011-41403002/43021640

COCHIN:

D.No.43/2526.27, SRM Road Ernakulam North P.O., Cochin-682018
Tel: 0484-2405160

MADURAI:

7A, Rathinasamy Nader Road, Chokkikulam, Madurai - 625 002.
Tel: 0452-2533808/0452-2520303

JAIPUR:

Plot No. C-110, C-113 & C-114, Road No. 9C, Vishwakarma Ind. Area, Jaipur, Rajasthan-302013.
Tel: 0141-4114073/4062759

CALICUT:

23/12134, 1214, 12144, 12148, Mini Bypass Road, Thiruvannur P.O. Calicut-673029
M: 94963 22709

COIMBATORE:

515, Sathy Road, Lakshmi Puram, Ganapathy, Coimbatore-641 006.
Tel: 0422 2521810/1811/1812

KANPUR:

128/94, Pashupati Nagar, Behind Upasana Guest House, Yashoda Nagar, Bypass Chauraha, Kanpur-208011. Tel.: 0512-2986634

LUDHIANA: 4384, Block No. 30, Street No. 01, Kirti Nagar, Near Yashwanth Mill, Chandigarh Road, Ludhiana-141010. M: 086997 41604

AN ISO 9001-2015 CERTIFIED COMPANY



REGD. TRADE MARK

ALMONARD

*Proven Performance
in Air Technology*



- ◆ Robust Design with Cast Aluminium Blade
- ◆ Aerofoil Blade Design for High Air Flow
- ◆ Full Powder Coated Body and Blade for Long Life
- ◆ Push Button Type 3 Speed Control Function



**450mm (18")
MARK-II
Wall Fan**



**450mm (18")
MARK-II
Pedestal Fan**

TEMPEST MARK-II



**450mm (18")
MARK-II
Pedestal Fan**



**450mm (18")
MARK-II
Wall Fan**

- ◆ 90° Oscillation Feature with On Off Function
- ◆ Pedestal Fan with Height Adjustment Feature
- ◆ Wall Fan with Vertical Adjustment Feature from 22° to 45°
- ◆ Available in Beige and Black Colour

Specifications

Volts (V)	AC Cycles Hz	Power Consumption (W)	Speed (RPM)	No. Of Speeds	No. Of Blades	Air Delivery (M ³ /min)
230	50	80	1400	3	3	100

Reliability • Quality • Dependability



ALMONARD

HEAVY DUTY EXHAUST FANS



Totally enclosed, continuously rated motor

Every Almonard Exhaust Fan features a capacitor start and run type motor, continuously rated, totally enclosed and ruggedly built.

Designed specifically for the purpose, the motor has prelubricated double ball bearing and is provided with Class 'A' and 'E' insulation. The end result is a smooth, silent motor that lasts longer and delivers the maximum output at lower operating cost.

Dynamically balanced impeller

The impeller used in an Almonard Exhaust Fan is of the propeller type. And since both hub and impeller are dynamically balanced and frames and arms mounted on rubber bushings, vibrations are virtually eliminated.

Additional Accessories

Accessories such as Louver Shutter, Wall Crest, Wire Guard etc. are also available as an extra feature to our Fans on request at Extra Cost.

Specifications

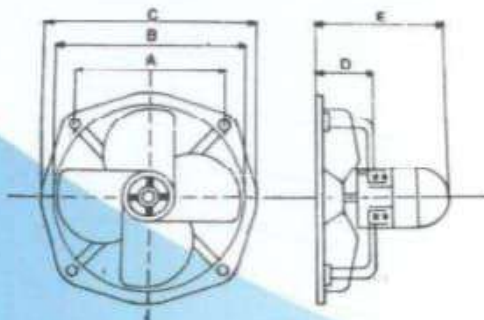
FAN DIA mm/INCHES	SPEED RPM	INPUT POWER WATTS	PHASE	CURRENT AMPS	MAX FREE AIR DEL. M ³ /HR @FM	SOUND LEVEL dB	
300/12" H/D	1400	90	SINGLE	0.43	1710	1006	50-55
300/12" H/D	900	55	SINGLE	0.26	1145	674	35-40
380/15" H/D	1400	150	SINGLE	0.77	3250	1912	60-65
380/15" H/D	1400	180	THREE	0.35	3250	1912	60-65
380/15" H/D	900	100	SINGLE	0.48	2000	1177	50-55
380/15" H/D	900	100	THREE	0.22	2000	1177	50-55
450/18" H/D	1400	410	SINGLE	1.98	6120	3602	65-70
450/18" H/D	1400	380	THREE	0.65	6120	3602	65-70
450/18" H/D	900	145	SINGLE	0.70	3900	2295	55-60
450/18" H/D	900	145	THREE	0.33	3900	2295	55-60
600/24" H/D	700	255	SINGLE	1.23	7100	4178	55-60
600/24" H/D	700	255	THREE	0.56	7100	4178	55-60
600/24" H/D	900	550	SINGLE	2.65	9400	5532	60-65
600/24" H/D	950	500	THREE	0.85	9400	5532	60-65
750/30" H/D	900	880	SINGLE	4.00	16000	9417	70-75
750/30" H/D	900	800	THREE	1.80	16000	9417	70-75
900/36" H/D	700	1200	THREE	2.40	25200	14832	75-80

AIR VENT EXHAUST FAN

230/9" H/D	1400	45	SINGLE	0.21	850	500	25-30
300/12" H/D	1350	75	SINGLE	0.35	1400	825	40-45

Front View

Side View



IMPELLER DIA	A	B	C	D	E	NET WEIGHT	
INCHES	mm.	mm.	mm.	mm.	mm.	KG.	
12"	300	312	325	383	140	255	5.30
15"	380	377	404	467	140	270	6.90
18"	450	452	485	550	150	305	10.02
24"	600	600	630	725	200	370	21.00
30"	750	738	786	889	220	405	32.260
36"	900	835	960	1070	294	545	54.100

NOTE - Design, Specifications and Technical Characteristics are subject to change without notice.



REGD. TRADE MARK

ALMONARD

Trusted for excellence in air technology for over 55 years

Super Energy Efficient Fan BLDC MOTOR



White

48" (1200mm)

Features

- High-speed fan for greater air thrust
- Dual side sealed bearing for frictionless and noiseless working
- 212 CMM Superior Air delivery
- Aerodynamic blades for high air thrust
- Aesthetic design with decorative body and canopy ring
(Only available for selective models)



Colours



Matt Brown

48" (1200mm)



SMART BLDC CEILING FAN



Double Ball Bearing



212 CMM
Air Delivery



360
RPM



28 WATT
Power



Reliability • Durability • Performance



ALMONARD

AN ISO 9001: 2015 CERTIFIED COMPANY

4"

**Duct Size
(100 mm)**

- Noise Free
- Power Saving
- Aesthetic look with High Quality Engineering Plastic
- Automatic Louvers
- Easy to Install
- 100% Copper Winding Motor
- Anti Rust Body
- Duct Size 4" (100mm)

SKY 360

CEILING MOUNTED EXHAUST FAN



T Cert



AN ISO 9001: 2015 CERTIFIED COMPANY

**100 mm (4") Sweep
Ventilating Fan**



ALMONARD

LIGHT DUTY / MEDIUM DUTY EXHAUST FANS



Features IN & OUT FAN

- Balanced aluminium blades for powerful suction of air both ways.
- Handy cord switch for reversing directions In or Out as per the requirement.
- Heavy duty motor with double ball bearing.
- Available in 225 and 300 mm sweep.
- Powdercoated full metal body.



Specifications

SIZE mm (INCHES)	VOLTS V	CYCLES Hz	INPUT WATTS	SPEED RPM	NO. OF BLADE LEAF
225 mm (9")	230	50	60	1400	4
300 mm (12")	230	50	75	1350	4

Features MEDIUM DUTY FRESH AIR FAN

- Expels stagnant and hot air quickly.
- Propeller type blades for more powerful suction.
- Powder coated full metal body.
- Available in 150mm, 225mm, 300mm sweep.

Specifications

SIZE mm (INCHES)	VOLTS V	CYCLES Hz	INPUT WATTS	SPEED RPM	NO. OF BLADE LEAF
150 mm (6")	230	50	45	2300	4
225 mm (9")	230	50	50	1350	4
300 mm (12")	230	50	90	1300	4

Features LIGHT DUTY FRESH AIR FAN

- Powerful motor for faster suction of hot air.
- Powder coated full metal body.
- Available in 225mm & 300mm sweep.

Specifications

SIZE mm (INCHES)	VOLTS V	CYCLES Hz	INPUT WATTS	SPEED RPM	NO. OF BLADE LEAF
225 mm (9")	230	50	35	1350	3
300 mm (12")	230	50	70	1350	3



REGD. TRADE MARK

ALMONARD PRIVATE LIMITED

CIN : U29300MH1968PTC014071

305, Kakad Chambers, 3rd Floor, 132, Dr. Annie Besant Road, Worli, Mumbai-400018. • Website : www.almonard.co.in
 Tel. : 022-2492 6552, 2490 3463, 2490 2269, 2490 3094 • E-mail : almonardconnect@gmail.com • salesalmonard@gmail.com
VADODARA Works : 852/2 & 853/1 GIDC, Makarpura, Vadodara, Gujarat - 390010. • M : 95372 21118 • E-mail : almonardfan10@yahoo.com
CHENNAI Off. & Works : 439/3A & 3B, Ekambara Naicker Industrial Estate, Off Arcot Road, Alapakkam, Porur, Chennai-600 116.
 Tel. : 044-2476 2100, 2476 2030, 2476 1424 • Fax : 044-2476 2627 • E-mail : almpcd@gmail.com, almdomsales@gmail.com

PUNE :
 Leelasree, Plot No. 32, Ground Floor,
 Anandbaug Soc., ISI Blood Bank Lane,
 Navi Peth, Pune-411 030.
 M : 9822018708

BHUBANESHWAR :
 Plot No. 3574/5486, At - Palasuni Hat,
 Canal Road, PO G.G.P.
 Bhubaneswar - 751 025.
 Tel. : 0674-2371157 / 0674-2370056

BANGALORE :
 315C, P&J Compound,
 14th Cross, Sunkadakotte,
 Magadi Main Road, Bangalore-560091
 Tel. : 080-23281991 / 23281989 / 23583065

NAGPUR :
 Venkatesh Apartment, 193,
 Trimurtinagar, Square Ring Road,
 Nagpur - 440 022.
 Tel. : 0712-223 6822

HYDERABAD :
 5-5-33/23C,
 Prashanti Nagar, Kukatpally,
 Hyderabad - 500 072.
 Tel. : 040 23070199 / 23070198

HUBLI :
 N-25, 1st Gate Industrial Estate,
 Gokul Road, Hubli - 580 030.
 Tel. : 0836-2237959 / 2970429

AHMEDABAD :
 306 & 307, Videocon Arizona, Near Nav
 Gujarat College, Opp. Gujarat Vidhyapeeth,
 Income Tax, Ashram Rd, Ahmedabad 380 013.
 Tel. : 079-27542034 / 27542024

VIJAYAWADA :
 D. No. 1-4-290-A,
 R.T.C. Workshop Road, Bhavanipuram,
 Vijayawada - 520 012.
 Tel. : 0866-2416046 Telefax: 0866-2561946

INDORE :
 Patwari Halka No. 17, Survey No. 3/01
 Goyal Compound, T.T. Nagar, Piplyia Kumar,
 Dewari Naka, Indore (M.P.) Pin - 452010
 Tel. : 0731-4955450

SURAT :
 ORBIT-1, 502, 5th Floor,
 Puna-Soroli BRTS Junction, Canal
 Corridor, Punagam, Surat 394 210.
 M : 8980628560 / 9723966440

VISAKHAPATNAM :
 D. No. 46-19-12, Mandavari Peta,
 Behind Big Bazar, Dwarkanagar,
 Visakhapatnam - 530 016 (A.P.)
 Tel. : 0891-2765826 / 2707964

DELHI :
 Plot No. 420, 2nd Floor,
 Functional Ind. Estate,
 Palparaganj Industrial Area,
 Delhi - 110 092.
 Tel. : 011-41403002 / 43021640

COCHIN :
 D.No. 43/2526,27, SRM Road
 Ernakulam North P.O., Cochin - 682018
 Tel. : 0484-2405160

MADURAI :
 7A, Rathinasamy Nadar Road,
 Chokkikulam, Madurai - 625 002.
 Tel. : 0452-2533808 / 0452-2520303

JAIPUR :
 Plot No. C-110, C-113 & C-114,
 Road No. 9C, Vishwakarma Ind. Area,
 Jaipur, Rajasthan-302013.
 Tel. : 0141-4114073 / 4062759

CALICUT :
 23/1213A, 1214, 1214A, 1214B,
 Mini Bypass Road, Thiruvannur P.O.
 Calicut-673029
 M : 94963 22709

COIMBATORE :
 515, Sathy Road,
 Lakshmi Puram, Ganapathy,
 Coimbatore-641 006.
 Tel. : 0422 2521810 / 1811 / 1812

KANPUR :
 128/94, Pashupati Nagar,
 Behind Upasana Guest House,
 Yashoda Nagar, Bypass Chauraha,
 Kanpur-208011. • Tel. : 0512-2986634

LUDHIANA : 4384, Block No. 30, Street No. 01, Kirti Nagar, Near Vardhman Mill, Chandigarh Road, Ludhiana-141010. • M : 086997 41644



REGD. TRADE MARK

ALMONARD

Trusted for Excellence in Air Technology for Over 50 Years

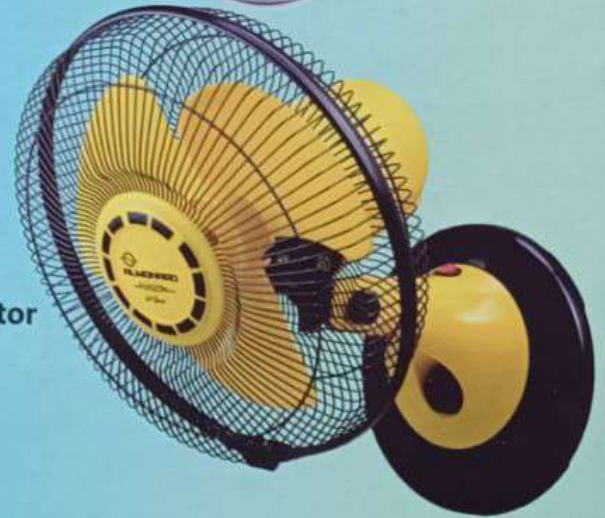


FUSION WALL cum TABLE FAN 300mm (12")

- With oscillation feature
- 3 Speed control
- 100% Copper winding motor

Volt	Watt	AMP	RPM
230	78	0.34	2400

Colours Available



TYNIE DELUXE FAN 225mm (9")

- Perfect fan for personal use
- 100% Copper winding motor

Volt	Cycle	Watt	RPM	Phase	AMP
230	50	50	2500	Single	0.22

Colours Available



Reliability • Quality • Dependability



REGD. TRADE MARK

ALMONARD

Almonard - trusted for excellence in air technology for over 50 years

High Speed Cabin Fans



400mm (16")



225mm (9")

Specifications

Size MM / INCH	Volt	Watt	Amp.	Speed / RPM	Cycle	Phase
225 mm (9")	230	60	0.25	2400	50 Hz.	Single
300 mm (12")	230	80	0.35	2300	50 Hz.	Single
400 mm (16")	230	110	0.48	2000	50 Hz.	Single

Ventilating Fans



HIGH SPEED

150mm (6")



HIGH SPEED

200mm (8")



250mm (10")

Specifications

Size MM / INCH	HIGH SPEED			NORMAL SPEED			Volt	Cycle
	Speed / RPM	Watt	Amp.	Speed / RPM	Watt	Amp.		
150 mm (6")	2300	48	0.20	1350	40	0.21	230	50 Hz.
200 mm (8")	2300	80	0.38	1300	40	0.21	230	50 Hz.
250 mm (10")				1350	60	0.27	230	50 Hz.

Eco-Vent



Eco-Axial



Tynie Deluxe Fan

HIGH SPEED

225mm (9")



Specifications

Sweep	Watt	RPM	Air Delivery (m3 HR)	CFM
150 mm (6")	35	1350	240	206
200 mm (8")	40	1350	350	285
250 mm (10")	45	1300	550	325

Specifications

Sweep	Watt	RPM	Air Delivery (m3 HR)	CFM
100 mm (4")	35	2200	105	61
150 mm (6")	40	2200	240	142

Specifications

Size MM / INCH	Volt	Cycle	Watt	Speed / RPM	Phase	Amp.
225 mm (9")	230	50	50	2500	Single	0.22

An unbeaten excellence • Reliability • Quality • Dependability



REGD. TRADE MARK

ALMONARD

AIR CIRCULATORS

Almonard - trusted for excellence in air technology for over 50 years



TEMPEST
450 mm (18")
WALL MOUNTING
AIR CIRCULATOR

- push button three speed control mounted within easy reach of hand
- vertical angle adjustment from 22° to 45°



600 mm (24")
750 mm (30")
HEAVY DUTY
WALL MOUNTING
AIR CIRCULATOR

- vertical angle adjustment from 22° to 45°



TEMPEST
450 mm (18")
PEDESTAL
AIR CIRCULATOR

- adjustable height
- strong streamlined pedestal for greater stability
- three speed control mounted on the column within easy reach of hand

- Aluminium alloy one-piece blade
- Double ball-bearing
- 90° oscillation
- Sturdy Close-mesh guard
- Beautiful design
- Powerful heavy-duty motor



600 mm (24")
750 mm (30")
HEAVY DUTY
PEDESTAL
AIR CIRCULATOR

- adjustable height
- strong streamlined pedestal for greater stability

SPECIFICATION

SWEEP	Volts (V)	AC Cycle (C/S)	Power Consumption	Speed RPM	Phase	Air Del. M ³ /min	No. of Blades	No. of Speeds
450 mm (18")	230	50	100 W	1440	1	150	3	3

SPECIFICATION

SWEEP	Volts (V)	AC Cycle (C/S)	Power Consumption	Speed RPM	Phase	Air Del. M ³ /min	No. of Blades	No. of Speeds
600mm (24")	230	50	180 W	1440	1	270	3	1
750mm (30")	230	50	250 W	1440	1	400	3	1



REGD. TRADE MARK

ALMONARD

Trusted for Excellence in Air Technology for Over 50 Years



Also Available in Metal Blade

**225mm (9")**

Colours Available



Hi Speed Cabin Fans

**300mm (12")**

Colours Available



Size : MM/INCH	Volt	Watt	AMP	Speed RPM	Cycle	Phase
250 MM (9")	230	60	0.25	2400	50 Hz.	Single
300 MM (12")	230	80	0.35	2300	50 Hz.	Single
400 MM (16")	230	110	0.48	2000	50 Hz.	Single

ALMONARD PRIVATE LIMITED

CIN: U29300MH1968PTC014071



Regd. Trade Mark

Mumbai Head Office :

305, Kakad Chambers, 3rd Floor, 132, Dr. Annie Besant Road, Worli, Mumbai-400018. Website: www.almonard.co.in
Tel.: 022-69823333 / 022-6982 3300 To 022-6982 3399
E-mail: almonardconnect@gmail.com
salesalmonard@gmail.com

VADODARA Works :

852/2 & 853/1 GIDC, Makarpura, Vadodara, Gujarat - 390010.
M: 95372 21118
E-mail: almonardfan10@yahoo.com

CHENNAI Off. & Works :

439/3A & 3B, Ekambara Naicker Industrial Estate, Off Arcot Road, Alapakkam, Porur, Chennai-600 116.
Tel.: 044-2476 2100, 2476 2030, 2476 1424 -
Fax: 044-2476 2627
E-mail: almpcd@gmail.com, almdomsales@gmail.com

PUNE:

Leelashree, Plot No. 32, Ground Floor, Anandbaug Soc., ISI Blood Bank Lane, Navi Peth, Pune-411 030.
M: 9822018708

BHUBANESHWAR:

Plot No. 3574/5486, AI - Palasuni Hat, Canal Road, PO G.G.P. Bhubaneswar - 751 025.
Tel: 0674-2371157/0674-2370056

BANGALORE:

315C, P&J Compound, 14th Cross, Sunkadkatte, Magadi Main Road, Bangalore-560091
Tel: 080-23281991/23281989/23583065

NAGPUR:

Venkatesh Apartment, 193, Trimurtinagar, Square Ring Road, Nagpur - 440 022.
Tel: 0712-223 6822

HYDERABAD:

5-5-33/23C, Prashanti Nagar, Kukatpally, Hyderabad - 500 072.
Tel: 040-23070199/23070198

HUBLI:

N-25, 1st Gale Industrial Estate, Gokul Road, Hubli-580 030.
Tel: 0836-2237959/2970429

AHMEDABAD:

306 & 307, Videocon Arizona, Near Nav Gujarat College, Opp. Gujarat Vidhyapith, Income Tax, Ashram Rd, Ahmedabad 380 013.
Tel: 079-27542034 / 27542024

VIJAYAWADA:

D. No. 1-4-290-A, R.T.C. Workshop Road, Bhavanipuram, Vijayawada - 520 012.

INDORE:

Patwari Haika No. 17, Survey No. 3/01 Goyal Compound, T.T. Nagar, Pipliya Kumar, Dewas Naka, Indore (M.P.) Pin-452010
Tel.: 0731-4955450

SURAT:

ORBIT-1, 502, 5th Floor, Puna-Saroli BRTS Junction, Canal Corridor, Punagam, Surat 394 210.
M: 8980628560/9723966440

VISAKHAPATNAM:

D. No. 46-19-12, Mandavari Pela, Behind Big Bazar, Dwarkanagar, Visakhapatnam - 530 016 (AP)
Tel: 0891-2765826/2707964

DELHI:

Plot No. 420, 2nd Floor, Functional Ind. Estate, Patparganj Industrial Area, Delhi - 110 092
Tel: 011-41403002/43021640

COCHIN:

D.No.43/2526,27, SRM Road Emakulam North P.O., Cochin-682018
Tel: 0484-2405160

MADURAI:

7A, Rathinasamy Nadar Road, Chokkikulam, Madurai - 625 002.
Tel: 0452-2533808/0452-2520303

JAIPUR:

Plot No. C-110, C-113 & C-114, Road No. 9C, Vishwakarma Ind. Area, Jaipur, Rajasthan-302013.
Tel: 0141-4114073/4062759

CALICUT:

23/12134, 1214, 12144, 12148, Mini Bypass Road, Thiruvannur P.O. Calicut-673029
M: 94963 22709

COIMBATORE:

515, Sathy Road, Lakshmi Puram, Ganapathy, Coimbatore-641 006.
Tel: 0422 2521810/1811/1812

KANPUR:

128/94, Pashupati Nagar, Behind Upasana Guest House, Yashoda Nagar, Bypass Chauraha, Kanpur-208011. Tel: 0512-2986634

LUDHIANA: 4384, Block No. 30, Street No. 01, Kirti Nagar, Near Vardhman Mill, Chandigarh Road, Ludhiana-141010. M: 086997 41604

AN ISO 9001-2015 CERTIFIED COMPANY



Regd. Trade Mark

ALMONARD

Trusted for Excellence in Air Technology for Over 50 Years

AEROSTAR PEDESTAL FAN 450 mm (18")

Salient Features

- High Performance Motor with Overheat Protection.
- Aerodynamically Designed Blades.
- 100% Copper Winding
- 3 Speed Switch Control



MODEL	SUPPLY VOLTS	FREQUENCY	INPUT WATTAGE	SPEED RPM	AIR DELIVERY (M3/MIN)
PEDESTAL FAN 450 mm (18")	220 V-230 V	50 Hz	96 W	1400	100

Reliability • Quality • Dependability



REGD. TRADE MARK

ALMONARD

Unbeaten Excellence in Domestic Fans

SUPREME

Supreme

HI-SPEED

WALL FAN

400 mm (16"H/S)

Salient Features

- ✓ High Performance Motor with Overheat Protection.
- ✓ Aerodynamically Designed Blades.
- ✓ Speed and Oscillation Controlled By Pull Cords.
- ✓ Sleek And Stylish Wall Fan
- ✓ 100% Copper Winding

Specifications

MODEL	SUPPLY VOLTS	FREQUENCY	INPUT WATTAGE	SPEED RPM	AIR DELIVERY (M ³ /MIN)
WALL FAN 400 mm (16"H/S)	220 V - 240 V	50 Hz	120 W	2100	85



Supreme

HI-SPEED

PEDESTAL FAN

400 mm (16"H/S)

Salient Features

- ✓ High Performance Motor with Overheat Protection.
- ✓ Elegant Streamlined Looks.
- ✓ Copper Wound Motor For High Air Delivery.
- ✓ Power Motor Designed for Indian Weather Condition.
- ✓ Rust Proof Engineered Plastic Body.
- ✓ 3 Speed Switch Control.
- ✓ Available in Black, Beige & White Color

Specifications

MODEL	SUPPLY VOLTS	FREQUENCY	INPUT WATTAGE	SPEED RPM	AIR DELIVERY (M ³ /MIN)
PEDESTAL FAN 400 mm (16"H/S)	220 V - 240 V	50 Hz	120 W	2100	85



Reliability • Quality • Dependability



ALMONARD

High Speed Cabin Fans



400mm (16") CABIN FAN



300mm (12") CABIN FAN

225mm (9") CABIN FAN



FEATURES

- POLYPROPYLENE PLASTIC BLADE
- POWERFUL HIGH SPEED MOTOR
- FOUR WAYS ADJUSTABLE ANGLE
- POWDER COATED METAL BODY AND GUARDS

Specifications

SIZE MM (INCHES)	VOLTS	CYCLES HZ	INPUT WATTS	SPEED RPM	PHASE	CURRENT AMPS
225 mm (9")	220/230	50	60	2400	SINGLE	0.25
300 mm (12")	230	50	80	2300	SINGLE	0.35
400 mm (16")	230	50	110	2000	SINGLE	0.48

An unbeaten excellence • Reliability • Quality • Dependability



REGD. TRADE MARK

ALMONARD

LIGHT DUTY / MEDIUM DUTY EXHAUST FANS



Features IN & OUT FAN

- Balanced aluminium blades for powerful suction of air both ways.
- Handy cord switch for reversing directions In or Out as per the requirement.
- Heavy duty motor with double ball bearing.
- Available in 225 and 300 mm sweep.
- Powdercoated full metal body.
- Two years guarantee.

Specifications

SIZE mm (INCHES)	VOLTS V	CYCLES Hz	INPUT WATTS	SPEED RPM	NO. OF BLADE LEAF
225 mm (9")	230	50	60	1400	4
300 mm (12")	230	50	75	1350	4



Features MEDIUM DUTY FRESH AIR FAN

- Expels stagnant and hot air quickly.
- Propellar type blades for more powerful suction.
- Powder coated full metal body.
- Available in 150mm, 225mm, 300mm sweep.
- Two years guarantee.

Specifications

SIZE mm (INCHES)	VOLTS V	CYCLES Hz	INPUT WATTS	SPEED RPM	NO. OF BLADE LEAF
150 mm (6")	230	50	45	2300	4
225 mm (9")	230	50	50	1350	4
300 mm (12")	230	50	85	1300	4



Features LIGHT DUTY FRESH AIR FAN

- Powerful motor for faster suction of hot air.
- Powder coated full metal body.
- Available in 225mm & 300mm sweep.
- Two years guarantee.

Specifications

SIZE mm (INCHES)	VOLTS V	CYCLES Hz	INPUT WATTS	SPEED RPM	NO. OF BLADE LEAF
225 mm (9")	230	50	35	1350	3
300 mm (12")	230	50	48	1350	3



CABIN FAN

High Speed

9" (225 mm)

12" (300 mm)

16" (400 mm)

**CABIN FAN
SPIN**

High Speed

16" (400mm)

Ventilating Fans



HIGH SPEED

150mm (6")



HIGH SPEED

200mm (8")



250mm (10")

Specifications

Size MM / INCH	HIGH SPEED			NORMAL SPEED			Volt	Cycle
	Speed / RPM	Watt	Amp.	Speed / RPM	Watt	Amp.		
150 mm (6")	2300	48	0.20	1350	40	0.21	230	50 Hz.
200 mm (8")	2300	80	0.38	1300	40	0.21	230	50 Hz.
250 mm (10")				1350	60	0.27	230	50 Hz.

Eco-Vent



Specifications

Sweep	Watt	RPM	Air Delivery (m3 HR)	CFM
150 mm (6")	35	1350	240	206
200 mm (8")	40	1350	350	265
250 mm (10")	45	1300	550	325

Eco-Axial



Specifications

Sweep	Watt	RPM	Air Delivery (m3 HR)	CFM
100 mm (4")	35	2200	105	61
150 mm (6")	40	2200	240	142

An unbeaten excellence • Reliability • Quality • Dependability



ALMONARD

Heavy Duty Exhaust Fan



305mm
380mm
450mm

IS : 2312



How to Estimate Required Ventilaton :

To ensure the ventilation required for a given area calculate the total interior space in cubic feet (length x width x height) multiply the figure you get by the particular number of air changes from the table above. Next divide this by 60. The figure you now get is the free air required in cubic feet per minute (C.F.M.)

Recommended Air Charges :

There are no rigid rules and recommendations regarding the number of air changes required for adequate ventilation every building has its own characteristics and much depends on prevailing conditions. The table below is, therefore, only a general guide to the number of air changes required for a given applications:

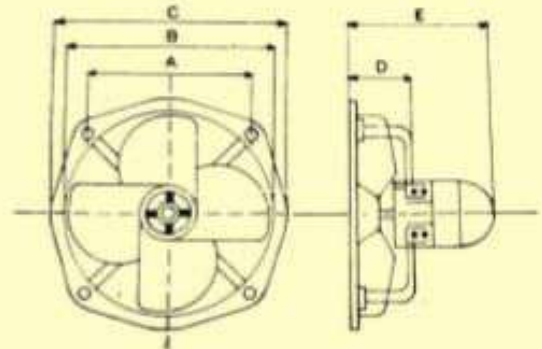
Application	No. of Air Changes Per Hour
Kitchens	20-32
Canteens / Restaurants	12-20
Offices / Laboratories / Hospital Wards	6-12
Factories / Workshops	12-20
Auditoriums / Cinemas / Photographic Darkrooms	20-30
Boiler Houses / Foundries	40-60

SPECIFICATIONS OF HEAVY DUTY EXHAUST FAN :

SIZE	SPEED RPM	PHASE	WATTS	VOLT	AMP	P.F.	M ³ / HR	CFM
300/12" HD	1400	1PH	95	230	0.43	0.91	1710	1006
300/12" HD	900	1PH	55	230	0.26	0.92	1145	674
380/15" HD	1400	1PH	160	230	0.75	0.92	3250	1913
380/15" HD	1400	3PH	160	415	0.31	0.72	3250	1913
380/15" HD	900	1PH	100	230	0.48	0.91	2000	1177
380/15" HD	900	3PH	100	415	0.20	0.70	2000	1177
450/18" HD	1400	1PH	410	230	1.96	0.91	6120	3602
450/18" HD	1400	3PH	360	415	0.70	0.72	6120	3602
450/18" HD	900	1PH	145	230	0.70	0.90	3900	2295
450/18" HD	900	3PH	145	415	0.29	0.70	3900	2295
600/24" HD	700	1PH	250	230	1.20	0.91	7100	4179
600/24" HD	700	3PH	240	415	0.48	0.70	7100	4179
600/24" HD	900	1PH	500	230	2.40	0.91	9400	5533
600/24" HD	900	3PH	500	415	0.95	0.73	9400	5533
750/30" HD	900	1PH	900	230	4.20	0.93	12000	7063
750/30" HD	900	3PH	900	415	1.80	0.70	12000	7063
900/36" HD	700	3PH	1200	415	2.40	0.70	26100	16539
AIRVENT EXHAUST FAN								
230/9" HD	1400	1PH	45	230	0.21	0.93	850	500
305/12" HD	1350	1PH	75	230	0.35	0.93	1400	824

Front View

Side View

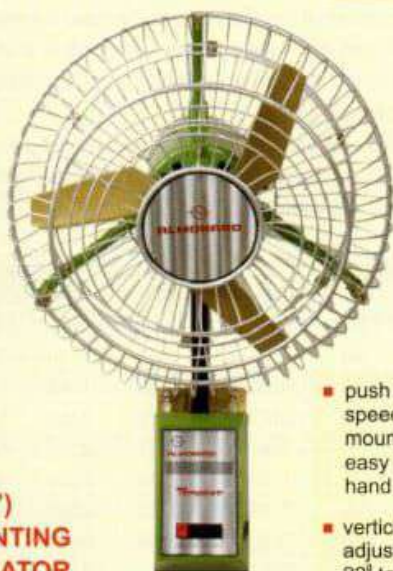


IMPELLER DIA	A	B	C	D	E	NET WEIGHT	
INCHES	mm.	mm.	mm.	mm.	mm.	KG.	
12"	300	312	325	385	140	250	5.60
15"	380	375	405	465	145	270	7.30
18"	450	450	485	550	170	305	10.70
24"	600	600	630	725	210	385	23.30
30"	750	738	786	889	210	381	30.00
36"	900	835	960	1070	294	501	54.62

ALMONARD

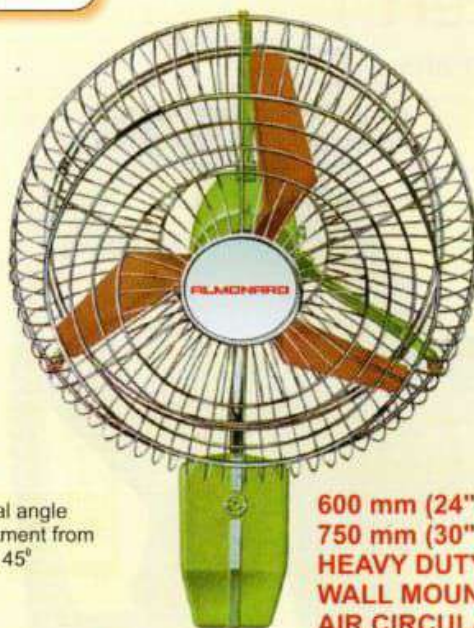
AIR CIRCULATORS

Almonard - trusted for excellence in air technology for over 50 years



TEMPEST
450 mm (18")
WALL MOUNTING
AIR CIRCULATOR

- push button three speed control mounted within easy reach of hand
- vertical angle adjustment from 22° to 45°



600 mm (24")
750 mm (30")
HEAVY DUTY
WALL MOUNTING
AIR CIRCULATOR

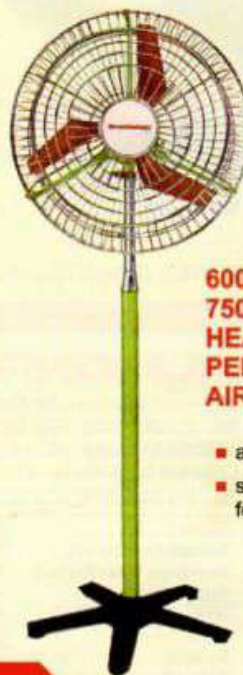
- vertical angle adjustment from 22° to 45°

- Aluminium alloy one-piece blade
- Double ball-bearing
- 90°C oscillation
- Sturdy Close-mesh gaurd
- Beautiful design
- Powerful heavy-duty motor



TEMPEST
450 mm (18")
PEDESTAL
AIR CIRCULATOR

- adjustable height
- strong streamlined pedestal for greater stability
- three speed control mounted on the column within easy reach of hand



600 mm (24")
750 mm (30")
HEAVY DUTY
PEDESTAL
AIR CIRCULATOR

- adjustable height
- strong streamlined pedestal for greater stability

TCert

ISO 9001:2015

SPECIFICATION

SWEEP	Volts (V)	AC Cycle (C/S)	Power Consumption	Speed RPM	Phase	Air Del. M ³ /min	No. of Blades	No. of Speeds
450 mm (18")	230	50	100 W	1440	1	150	3	3

SPECIFICATION

SWEEP	Volts (V)	AC Cycle (C/S)	Power Consumption	Speed RPM	Phase	Air Del. M ³ /min	No. of Blades	No. of Speeds
600mm (24")	230	50	180 W	1440	1	270	3	1
750mm (30")	230	50	250 W	1440	1	400	3	1

AN ISO 9001-2015 CERTIFIED COMPANY